

ProMILL Duo*

Dual casing, trip-saving milling and underreaming system

APPLICATIONS

- Plug and abandonment operations

BENEFITS

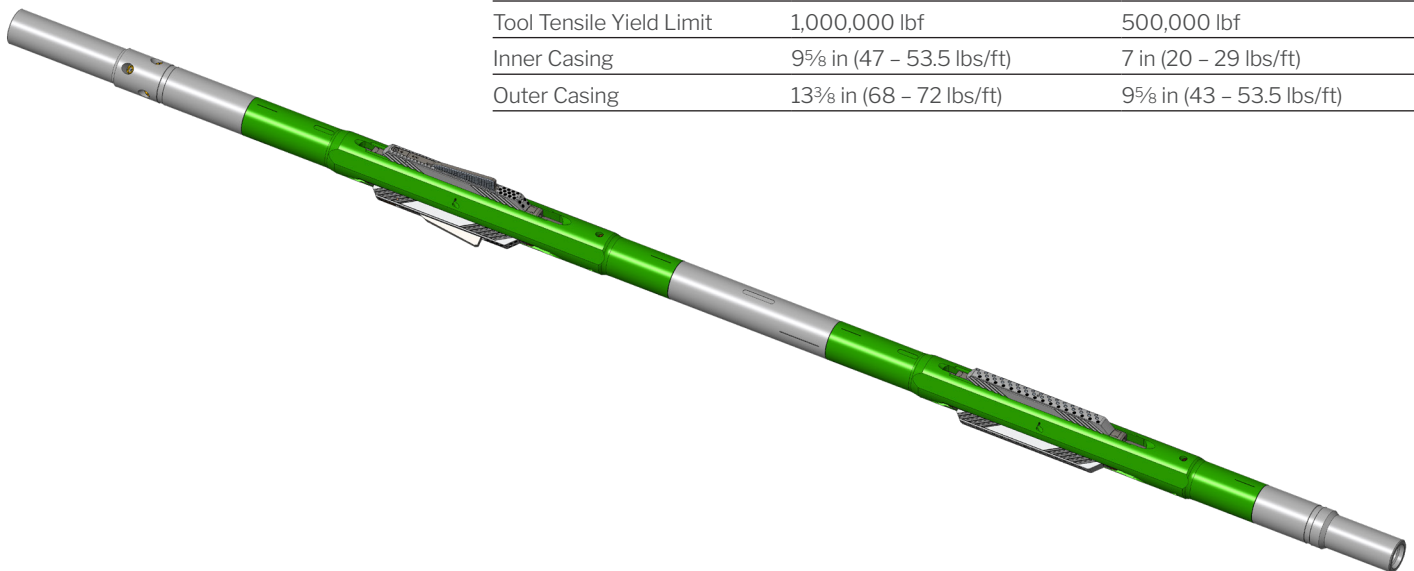
- As part of the comprehensive plug and abandonment systems portfolio, the ProMILL Duo greatly improves efficiency and reduces cost in a dual string application by eliminating the need to mill up the inner string from the surface or top of cement, when a section needs to be milled in the outer casing for setting a cement plug.
- Multiple trips to mill up the inner casing are eliminated, due to the small drift of this tool and the high expansion ratio.
- A High Ratio Underreamer can be run in the same trip as ProMILL Duo.

ProMILL Duo

The ProMILL Duo features a high expansion ratio and is run in a separate trip with an Expandable Stabilizer to drift through a smaller casing and mill a section in the outer casing.

SPECIFICATIONS

Tool Series	8000	6000
Opening Diameter	15.7 in	11.37 in
Activation System	Ball Drop Activation available	N/A
Body OD	8.44 in	6.00 in
Fishing Neck OD	7.75 in	5.25 in
Fishing Neck Length	16 in	12.9 in
Body Connections	6 ⁵ / ₈ Reg Box x 6 ⁵ / ₈ Reg Box	4 ¹ / ₂ Reg Box x 4 ¹ / ₂ Reg Box
Top Sub Connections	6 ⁵ / ₈ Reg Pin x 6 ⁵ / ₈ Reg Pin (NC50 Box Up also available)	3 ¹ / ₂ IF Box x 4 ¹ / ₂ Reg Pin
Weight (Section Mill only)	891 lb	340 lb
Weight (Mill BHA, including Stabilizer)	2,311 lb	800 lb
Overall Length (Section Mill)	81 in	65 in
Overall Length (including Stabilizer)	210 in	154 in
Tool Tensile Yield Limit	1,000,000 lbf	500,000 lbf
Inner Casing	9 ⁵ / ₈ in (47 - 53.5 lbs/ft)	7 in (20 - 29 lbs/ft)
Outer Casing	13 ³ / ₈ in (68 - 72 lbs/ft)	9 ⁵ / ₈ in (43 - 53.5 lbs/ft)



*Mark of Wellbore Integrity Solutions. Other company, product, and service names are the properties of their respective owners. Copyright © 2021 Wellbore Integrity Solutions. All rights reserved. WIS-FS-MKT-057_rev2