

Mud Screen Manifold

A safer, more reliable connection system

The Mud Screen Manifold is a safer and more reliable system placed directly after the pumps. This unique placement eliminates the need for a mud screen installation into the drill pipe connections. The mud screen manifold provides a safer option by avoiding human error and reducing connection time, in contrast to the conventional process of inserting the screen into the drill string's top connection, which has many safety and quality hazards. The manifold's standard connections include 1002 and 1502 hammer unions indicated below, but various adapters are available for alternative hookup configurations.

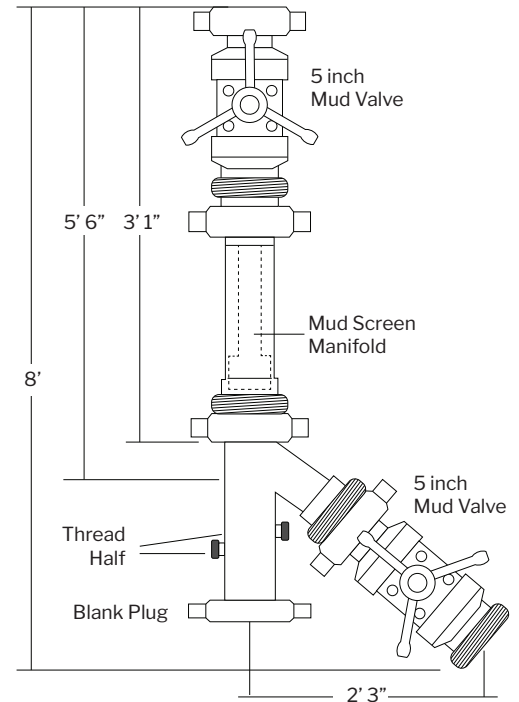
5 INCH MANIFOLD SPECIFICATIONS

Working Pressure	7500 psi	
5 inch Mud Valve	1002 Union	1502 Union
Size Inlet	5 in. 1002 Threaded	5 in. 1502 Threaded
Size Outlet	5 in. 1002 Wing	5 in. 1502 Wing
Mud Screen Manifold Size	5 in. 1002	5 in. 1502
Thread Half Size	2 in. 1502	2 in. 1502
Blank Plug Size	5 in. 1002	5 in. 1502

Dimensions indicated on the illustration

ADAPTER CONFIGURATIONS

5 in. 1002 Wing x 4 in. 1002 Thread Adapter
5 in. 1002 Thread X 4 in. 1002 Wing Adapter
5 in. 1002 Thread x 4 in. 1003 Wing Adapter
5 in. 1502 Wing X 5 in. 1002 Thread Adapter
5 in. 1502 Thread X 5 in. 1002 Wing Adapter
5 in. 1002 Wing X 4 in. 602 Thread Adapter
5 in. 1002 Thread X 4 in. 602 Wing Adapter
5 in. 1002 Wing X 5 in. 1002 Wing Adapter
5 in. 1002 Thread X 5 in. 1002 Thread Adapter
5 in. 1502 Wing X 5 in. 1502 Wing Adapter
5 in. 1502 Thread X 5 in. 1502 Thread Adapter
5 in. 1002 Wing X 4 1/16 X 10M FLANGE
5 in. 1502 45 Degree Adapter
5 in. 1502 90 Degree Adapter
5 in. 1002 45 Degree Adapter
5 in. 1002 90 Degree Adapter



*Mark of Wellbore Integrity Solutions. Other company, product, and service names are the properties of their respective owners. Copyright © 2021 Wellbore Integrity Solutions. All rights reserved. WIS-FS-MKT-134_rev5